



# Zaar

## Cloakroom Basin & Pedestal

PZW07(1)  
PZW09

ZAAR SANITARYWARE

### FEATURES

- hbLogo
- Vitreous China
- 1 & 2 Tap Hole
- White Only
- 25 Year Guarantee



Logo as it appears on product:

### INCLUDED COMPONENTS

**Basin 1 Tap hole**                      **PZW071**  
**Basin 2 Tap hole**                      **PZW07**  
 Packed Weight                              9Kgs  
 Packed Size                                 420 x 560 x 230mm

**Pedestal**                                      **PZW09**  
 Packed Weight                              9Kgs  
 Packed Size                                 770 x 330 x 220mm

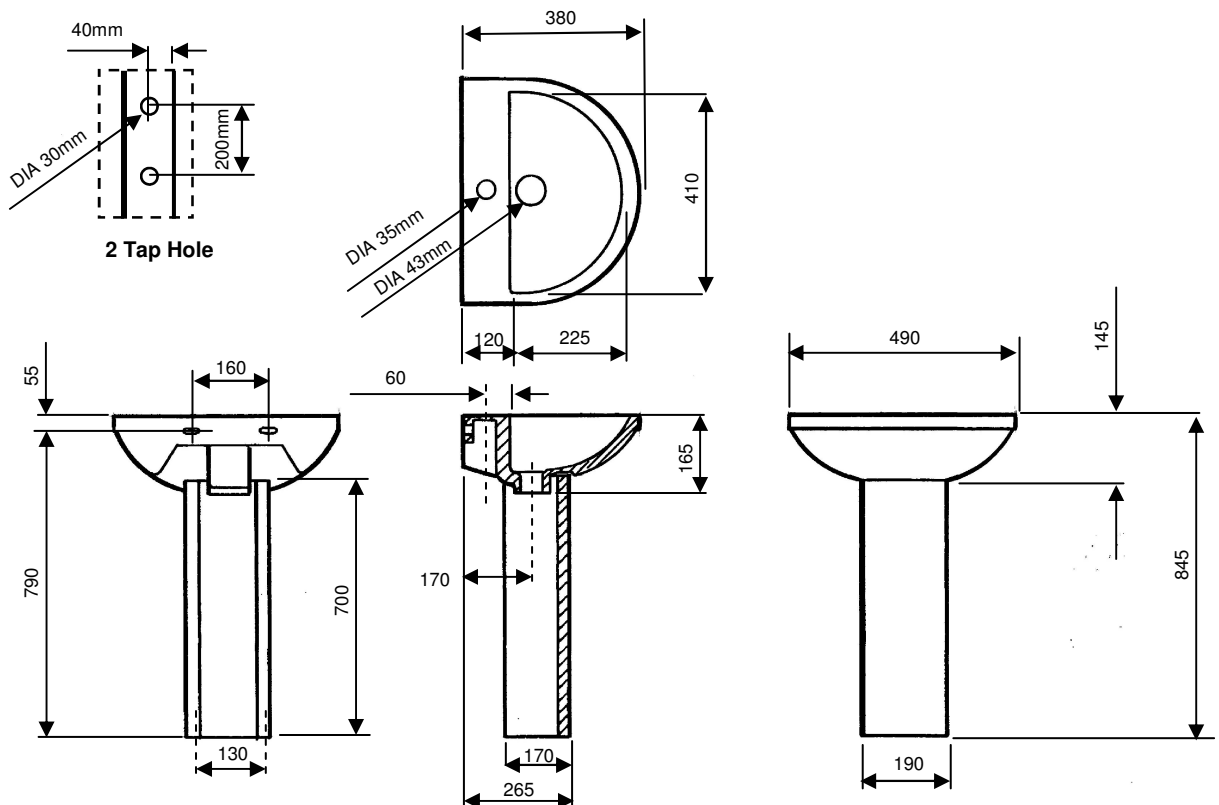
### PRODUCT DETAILS

Basin can be wall hung or use with:  
**Zaar Pedestal**                              **PZW09**  
 Wall Fixing Bolts Provided

2 Tap hole version has no chain stay and  
 should be used with:  
**Push Button Basin Waste**              **THC12**

### DIMENSIONS (mm)

(with Zaar Pedestal)



The information contained on this page was correct at date of issue. For the most up to date specification please refer to [www.heritagebathrooms.com](http://www.heritagebathrooms.com). Fitting dimensions are provided as a guide only. Some variation may occur due to manufacturing tolerances. Heritage Bathrooms pursues a policy of continuing improvement in design and performance of its products and so reserves the right to change specifications without prior notice.



# Zaar

## Cloakroom Basin & Wall Hung Pedestal

PZW07(1)  
PZWW09

ZAAR SANITARYWARE

### FEATURES

- hb Logo
- Vitreous China
- 1 & 2 Tap Hole
- White Only
- 25 Year Guarantee



Std basin & wall hung pedestal depicted

Logo as it appears on product:

### INCLUDED COMPONENTS

**Basin 1 Tap hole**  
**Basin 2 Tap hole**  
Packed Weight  
Packed Size

**PZW071**  
**PZW07**  
9Kgs  
560 x 420 x 230mm

**Wall Hung Pedestal**  
Packed Weight  
Packed Size

**PZWW09**  
9Kgs  
485 x 310 x 270mm

### PRODUCT DETAILS

Basin can be wall hung or use with:  
**Zaar Pedestal** **PZW09**  
Wall Fixing Bolts Provided

2 Tap hole version has no chain stay and should be used with:  
**Push Button Basin Waste** **THC12**

### DIMENSIONS (mm)

