

FEATURES

Vitreous China
White Only
1 Taphole
25 Year
Guarantee



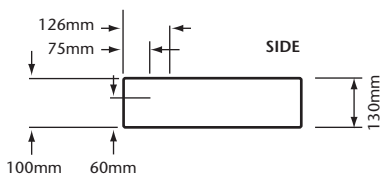
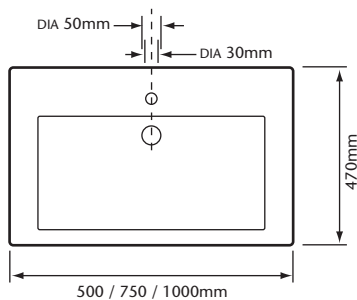
INCLUDED COMPONENTS

500 Block Basin	PVN501
Packed Weight	15 Kgs
Packed Size	526 X 518 X 148mm
750 Block Basin	PVN751
Packed Weight	25 Kgs
Packed Size	510 x 70 x 145mm
1000 Block Basin	PVN101
Packed Weight	33.5 Kgs
Packed Size	504 x 1010 x 151mm

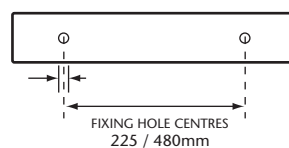
COMPATIBLE WITH

Fourre 500 / 750 / 1000 Washstand
Shaker Bottle Trap

DIMENSIONS



500/750mm BACK



1000mm BACK

