



Cara

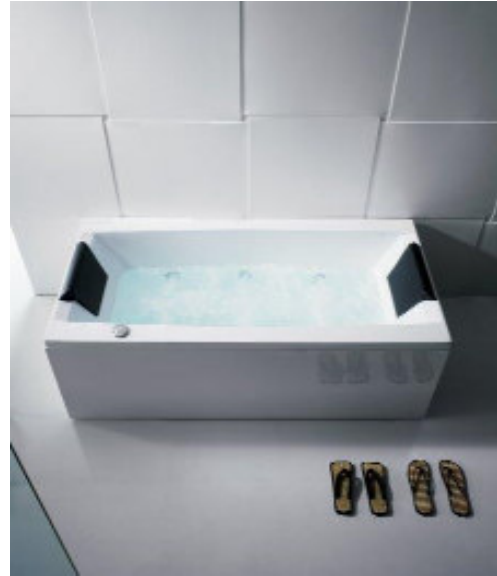
1900 x 900 Double Ended Whirlpool Bath

WBCADW01

STANDARD WHIRLPOOLS

FEATURES

- hb logo
- Solid Construction
- 8 Directional Side Jets
- 4 Back & Foot Jets
- No Taphole
- White Only
- 5 Year Guarantee



Note: brassware required to fill bath (not shown here)

Logo as it appears on product:

INCLUDED COMPONENTS

Whirlpool Bath (incl front panel)	WBCADW01
Water Capacity	320ltrs
Packed Weight	87 Kgs
Size (palletised)	1945 x 995 x 940mm

PRODUCT FEATURES

- User friendly manual controls to regulate air and water flow
- Individual adjustment of jet intensity
- Directional nozzles to target specific body areas
- Rigid steel frame structure
- Can be installed as left or right hand bath
- Includes fitted pop up waste

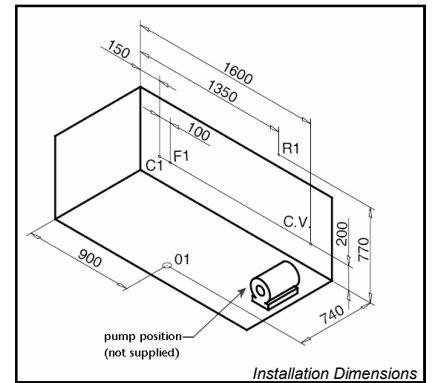
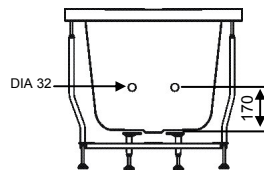
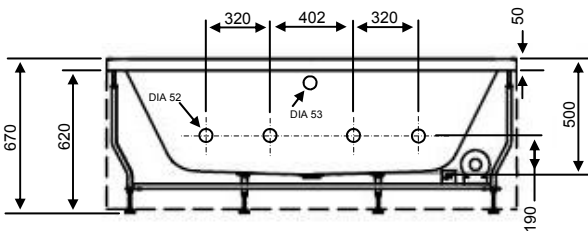
OPTIONAL EXTRAS

900 End Bath Panel	WBCAW07
Headrest	WBCAH00

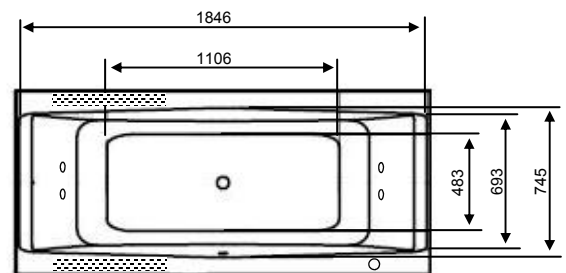
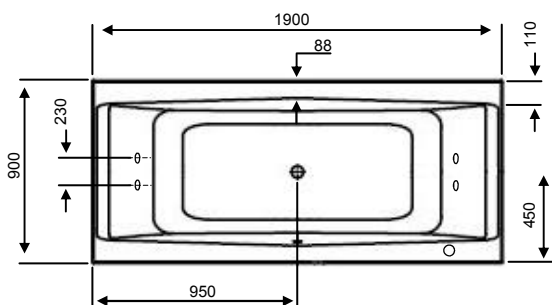
- Low noise level motors $\leq 75\text{ db}$
- Pump Water Delivery 380l/min
- Recommended Floor Weight Bearing: 200kg/m²

DIMENSIONS

All dimensions are in mm



Installation Dimensions



*Drawing details right hand side installation

= tap installation zone