



SELENA

1500 x 1500 Round Whirlpool

WBSL00

WHIRLPOOL BATHS

FEATURES

- hb Logo
- Solid Construction
- 8 Directional Jets
- No Taphole
- White Only
- 5-Year Guarantee



Logo as it appears on product:

FINISHES AVAILABLE

White (No Taphole)

WBSL00

INCLUDED COMPONENTS

| | |
|---------------------------|---------------------|
| Bathtub (panels included) | |
| Water Capacity | 385ltr |
| Packed Weight | 95kgs |
| Size (actual) | 1516 x 1514 x 595mm |
| Size (palletised) | 1580 x 1580 x 760mm |

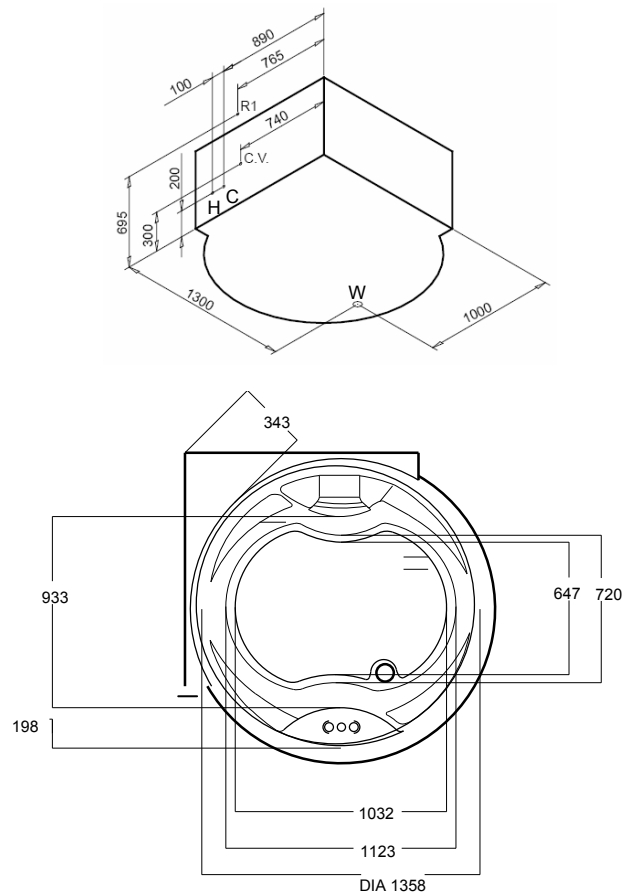
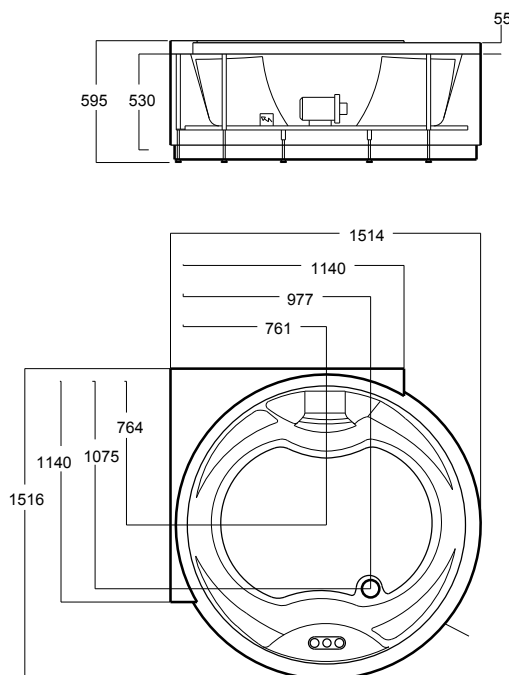
PRODUCT DETAILS

- Low noise level motors 75 db
- Manual controls to regulate air and water flow
- Individual adjustment of jet intensity
- Directional nozzles to target specific body areas
- Rigid steel frame structure

Recommended Floor Weight Bearing:
Max Pump Delivery

200kg/m²
300 Lpm

DIMENSIONS



Key:
 W = suggested waste point
 H = Hot water feed from mains*
 C = Cold water feed from mains*
 C.V = Suggested point for electrical input
 R1 = suggested point for wall mounted taps

* = suggested dimensions if installing taps on wall side

Note: All dimensions shown are in mm